

Earthquake®

GROUNDBREAKING POWER EQUIPMENT

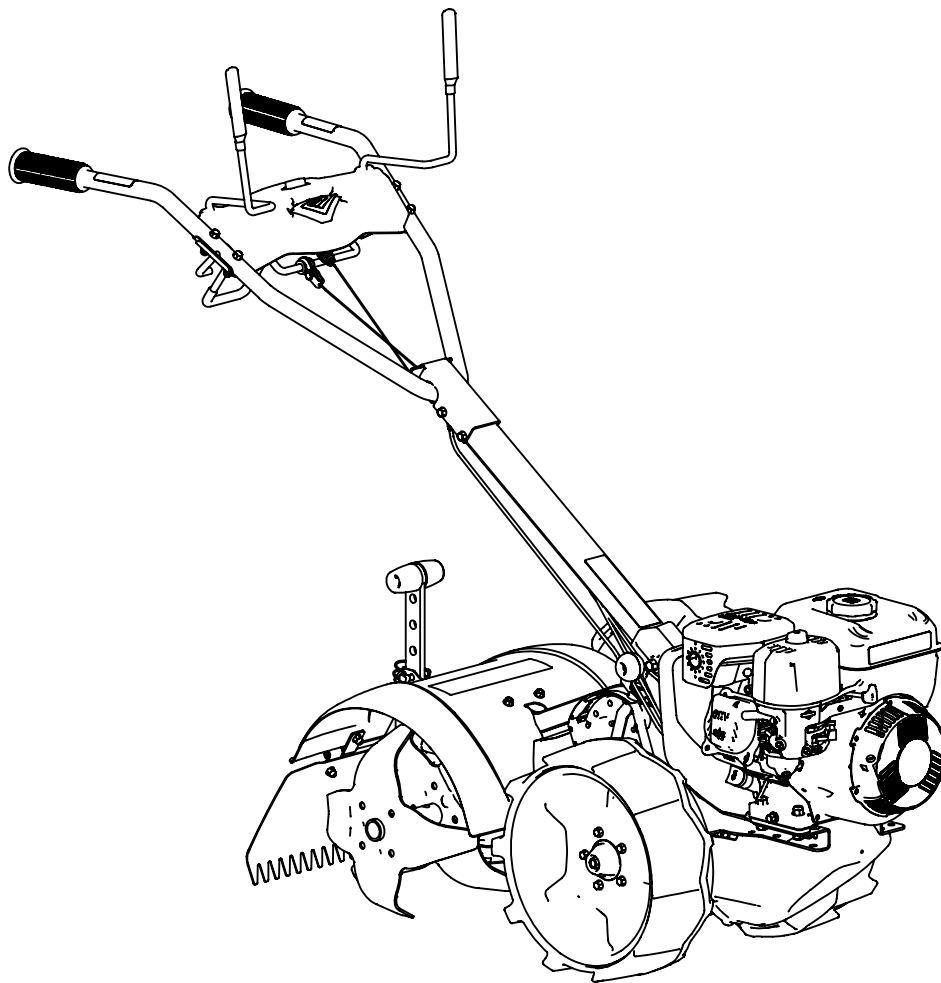
Illustrated Parts Breakdown
Illustration des pièces détachées

**Model Number,
Numéros de modèle :**
46059

ENGLISH

FRANÇAIS

S/N



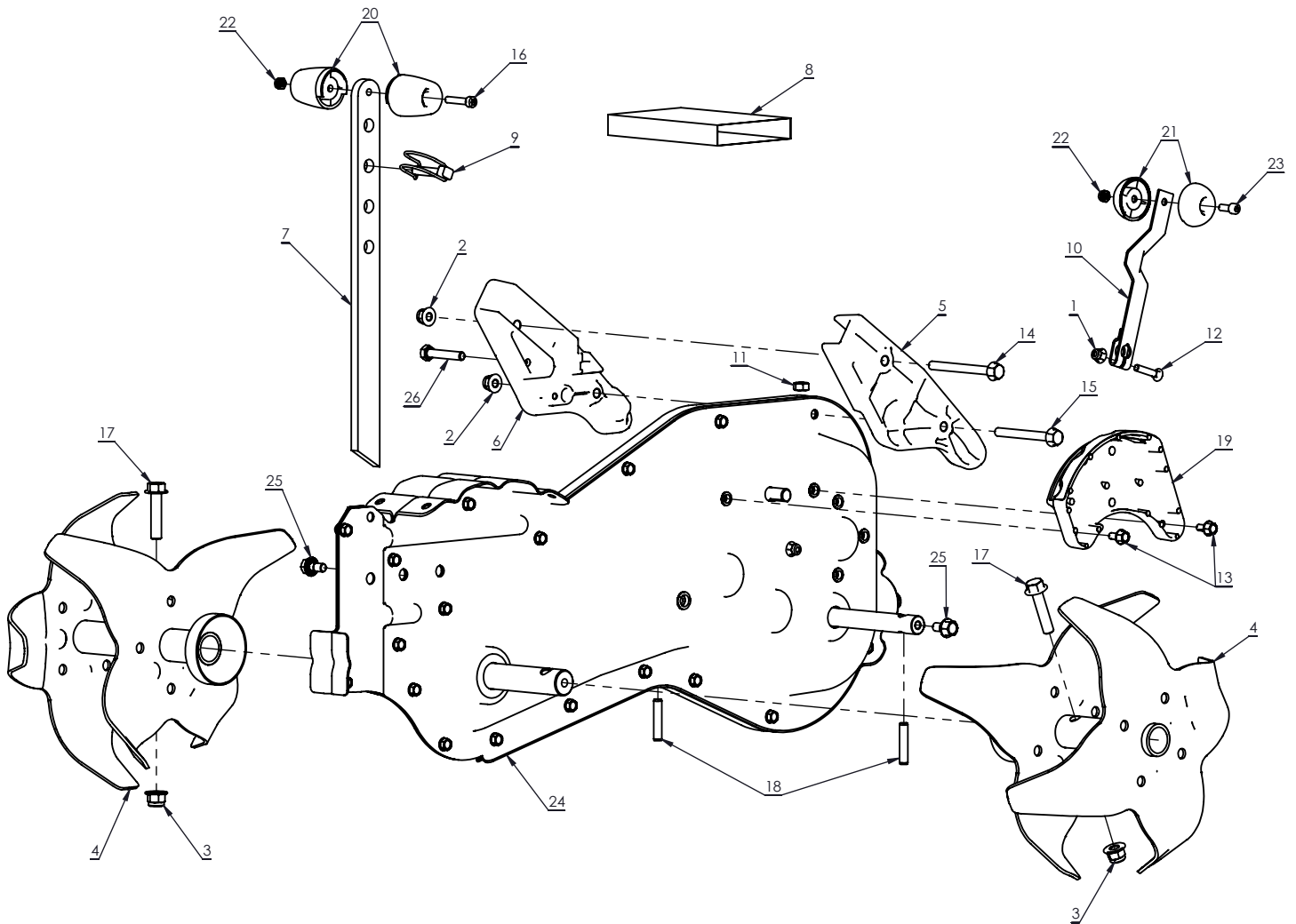
www.getearthquake.com - (800) 345-6007

© 2024 Ardisam, Inc.
All Rights Reserved
Tous droits réservés
P/N: 46792
SVC: 05733
ECN: 14471
REV 1: 2025-04-01



THIS INSTRUCTION BOOKLET CONTAINS IMPORTANT SAFETY INFORMATION. PLEASE READ AND KEEP FOR FUTURE REFERENCE.
CE LIVRET D'INSTRUCTIONS CONTIENT DES INFORMATIONS IMPORTANTES SUR LA SÉCURITÉ. VEUILLEZ LE LIRE ET LE CONSERVER POUR TOUTE CONSULTATION EXTÉRIEURE.

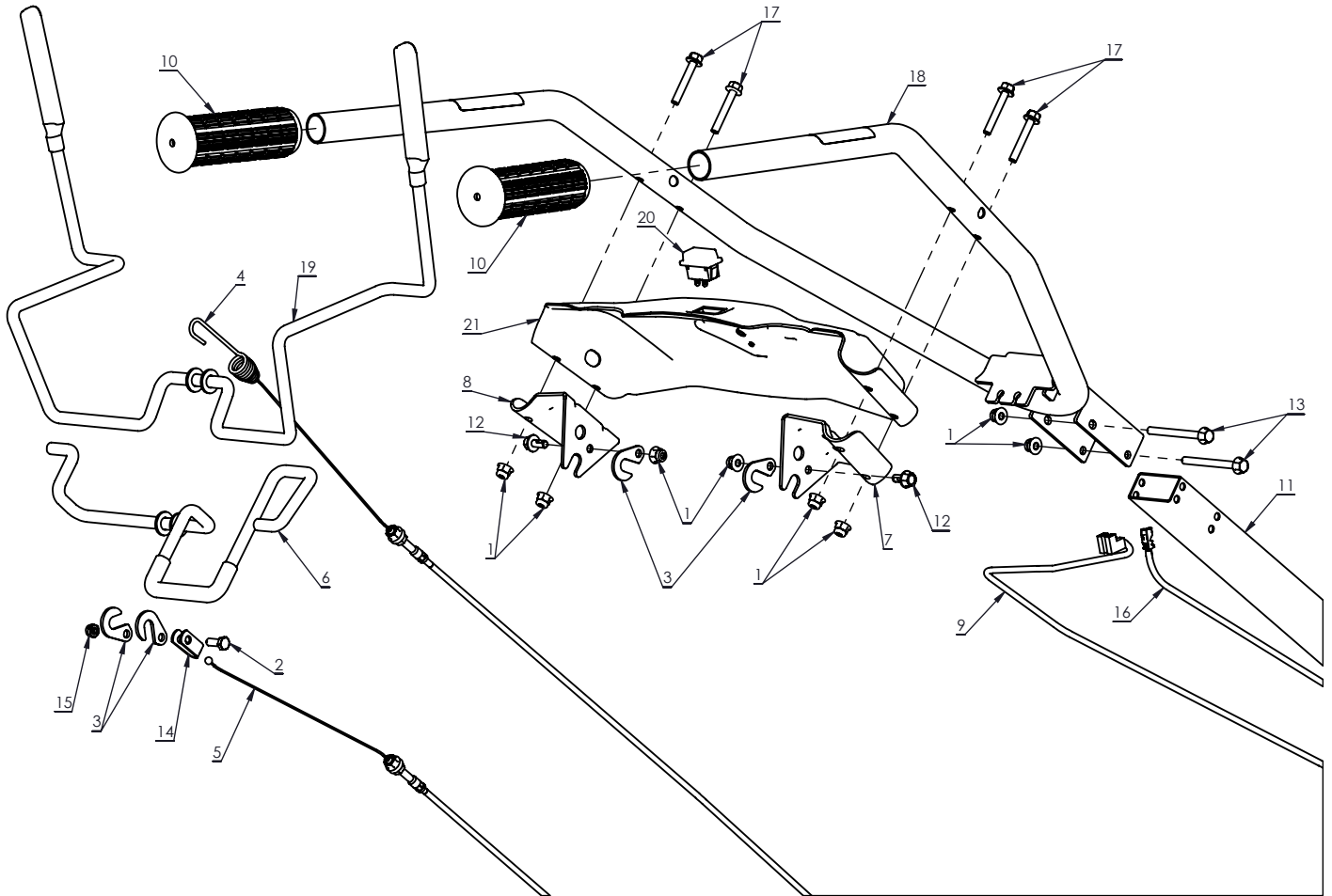
CHASSIS GROUP



REF./REP.	PART NO. /° RÉF.	DESCRIPTION	QTY. / QTÉ
1	14109	NUT M6	1
2	16400	NUT M8	2
3	16903	NUT M10	2
4	31122	GRAY BOLO TINE DDT	2
5	31143	RED HANDLEBAR MOUNT RIGHT	1
6	31144	RED HANDLEBAR MOUNT LEFT	1
7	31227	DRAG STAKE BLACK	1
8	31414	PARTS BAG	1
9	31563	SAFETY SNAP PIN	1
10	31626	SHIFT LEVER	1
11	3252	NUT M8	1
12	34028	M6 CARRIAGE BOLT	1
13	34141	BOLT M6 X 14	2

REF./REP.	PART NO. /° RÉF.	DESCRIPTION	QTY. / QTÉ
14	34143	M8 FLANGE BOLT	1
15	34144	M8 FLANGE BOLT	1
16	34588	M6 SOCKET HEAD BOLT	1
17	35182	BOLT M10 X 45	2
18	35207	M8 PIN	2
19	36223	LABELED SHIFT SELECTOR	1
20	37427	BLACK HANDLE	2
21	37432	BLACK SHIFT HANDLE	2
22	37433	NUT M6	2
23	37467	M6 SOCKET HEAD BOLT	1
24	39978	COMPLETE TRANSMISSION	1
25	41001	M8 SERRATED FLANGE BOLT	2
26	800100	M8 HEX BOLT	1

HANDLEBAR GROUP



REF./REP.	PART NO./° RÉF.	DESCRIPTION	QTY./QTÉ
1	14109	NUT M6	8
2	17986	BOLT M6 X 16	1
3	30924	BAIL HOOK	4
4	31244	FORWARD CABLE	1
5	31245	REVERSE CABLE	1
6	31666	REVERSE BAIL	1
7	31667	RIGHT BAIL BRACKET	1
8	31668	LEFT BAIL BRACKET	1
9	31784	WIRING HARNESS HANDLEBAR	1
10	32430	RUBBER GRIP	2
11	32997	HANDLEBAR SUPPORT TUBE	1

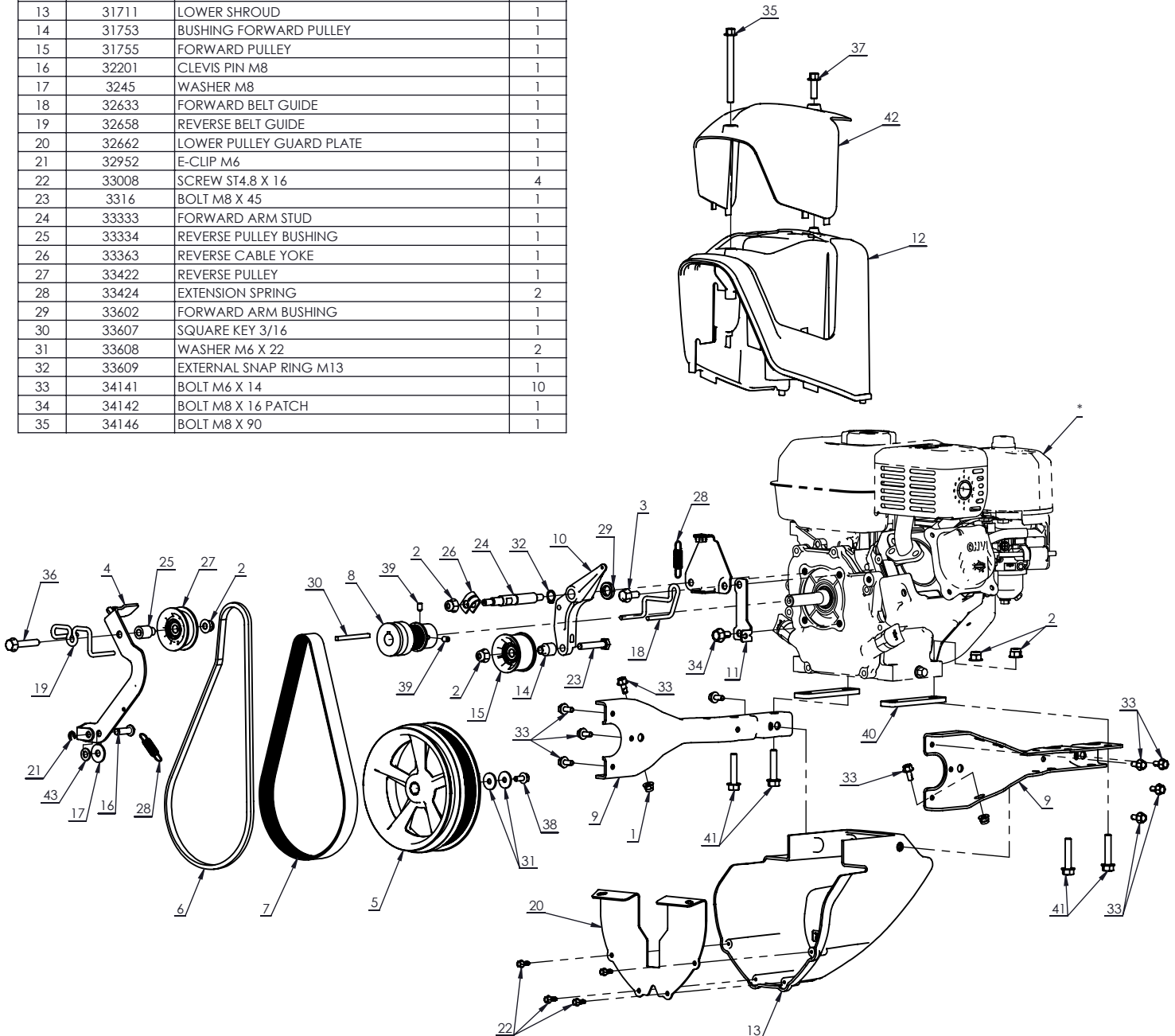
REF./REP.	PART NO./° RÉF.	DESCRIPTION	QTY./QTÉ
12	34141	BOLT M6 X 14	2
13	34145	BOLT M6 X 65	2
14	35556	YOKE	1
15	37433	NUT M6	1
16	39606	WIRING HARNESS ENGINE	1
17	400021	BOLT M6 X 40	4
18	40070	HANDLEBAR LABELED	1
19	40241	FORWARD BAIL	1
20	40303	SWITCH I/O WITH COVER	1
21	50477	DASH WITH BADGE	1

ENGINE BELTS, PULLEYS AND COVERS

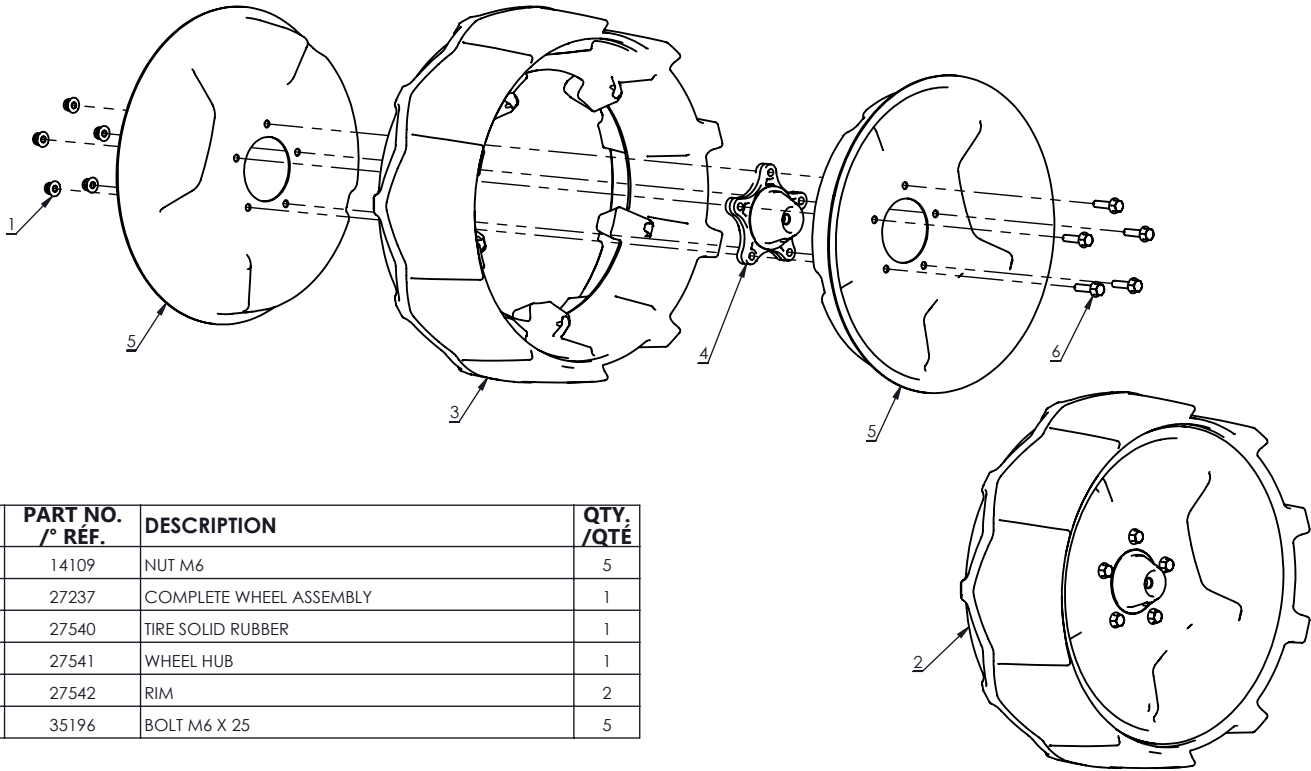
REF./REP.	PART NO./° RÉF.	DESCRIPTION	QTY./QTÉ
1	14109	NUT M6	2
2	16400	NUT M8	7
3	19945	BOLT M8 X 20	1
4	31121	REVERSE ARM	1
5	31131	TRANSMISSION PULLEY	1
6	31157	REVERSE BELT	1
7	31158	FORWARD BELT	1
8	31160	ENGINE PULLEY	1
9	31163	ENGINE MOUNT	2
10	31175	FORWARD ARM	1
11	31176	REVERSE CABLE BRACKET	1
12	31695	UPPER SHROUD BASE	1
13	31711	LOWER SHROUD	1
14	31753	BUSHING FORWARD PULLEY	1
15	31755	FORWARD PULLEY	1
16	32201	CLEVIS PIN M8	1
17	3245	WASHER M8	1
18	32633	FORWARD BELT GUIDE	1
19	32658	REVERSE BELT GUIDE	1
20	32662	LOWER PULLEY GUARD PLATE	1
21	32952	E-CLIP M6	1
22	33008	SCREW ST4.8 X 16	4
23	3316	BOLT M8 X 45	1
24	33333	FORWARD ARM STUD	1
25	33334	REVERSE PULLEY BUSHING	1
26	33363	REVERSE CABLE YOKE	1
27	33422	REVERSE PULLEY	1
28	33424	EXTENSION SPRING	2
29	33602	FORWARD ARM BUSHING	1
30	33607	SQUARE KEY 3/16	1
31	33608	WASHER M6 X 22	2
32	33609	EXTERNAL SNAP RING M13	1
33	34141	BOLT M6 X 14	10
34	34142	BOLT M8 X 16 PATCH	1
35	34146	BOLT M8 X 90	1

REF./REP.	PART NO./° RÉF.	DESCRIPTION	QTY./QTÉ
36	35226	BOLT M8 X 45	1
37	35893	BOLT M8 X 25	1
38	36054	BOLT M6 X 14 GR10.9	1
39	36492	SET SCREW M6	2
40	37624	ENGINE SPACER PLATE	2
41	37705	BOLT M8 X 40	4
42	37869	UPPER SHROUD BLACK	1
43	400024	WASHER M8	1

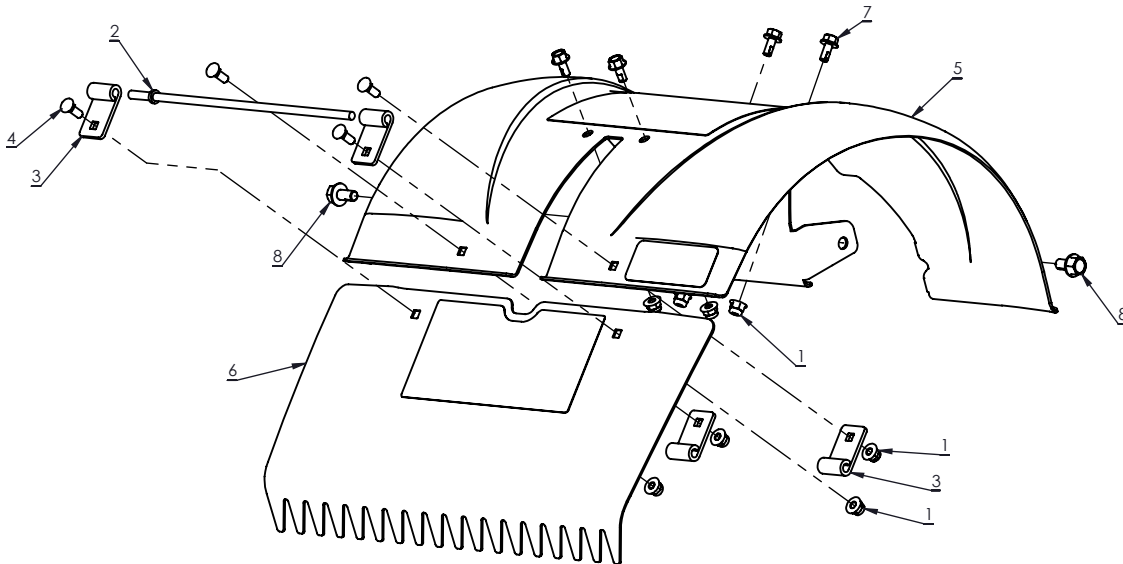
* BRIGGS AND STRATTON ENGINE SERVICE P: 1 (800) 444-7774
E-MAIL: WWW.BRIGGSANDSTRATTON.COM



WHEEL AND TINE SHIELD GROUPS



REF./REP.	PART NO./° RÉF.	DESCRIPTION	QTY./QTÉ
1	14109	NUT M6	5
2	27237	COMPLETE WHEEL ASSEMBLY	1
3	27540	TIRE SOLID RUBBER	1
4	27541	WHEEL HUB	1
5	27542	RIM	2
6	35196	BOLT M6 X 25	5



REF./REP.	PART NO./° RÉF.	DESCRIPTION	QTY./QTÉ
1	14109	NUT M6	8
2	24869	HINGE PIN	1
3	32427	HOOD HINGE	4
4	32429	CARRIAGE BOLT M6 X16	4

REF./REP.	PART NO./° RÉF.	DESCRIPTION	QTY./QTÉ
5	32998	TINE SHIELD WITH LABEL	1
6	32999	BEAVER TAIL WITH LABEL	1
7	34141	BOLT M6 X 14	4
8	34142	BOLT M8 X 16 PATCH	2